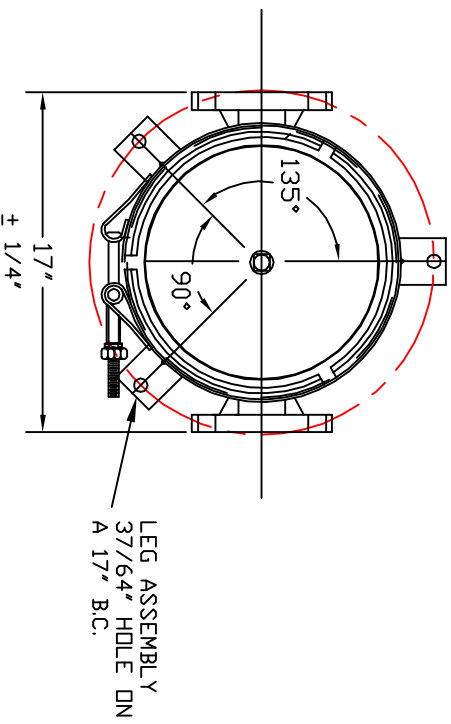
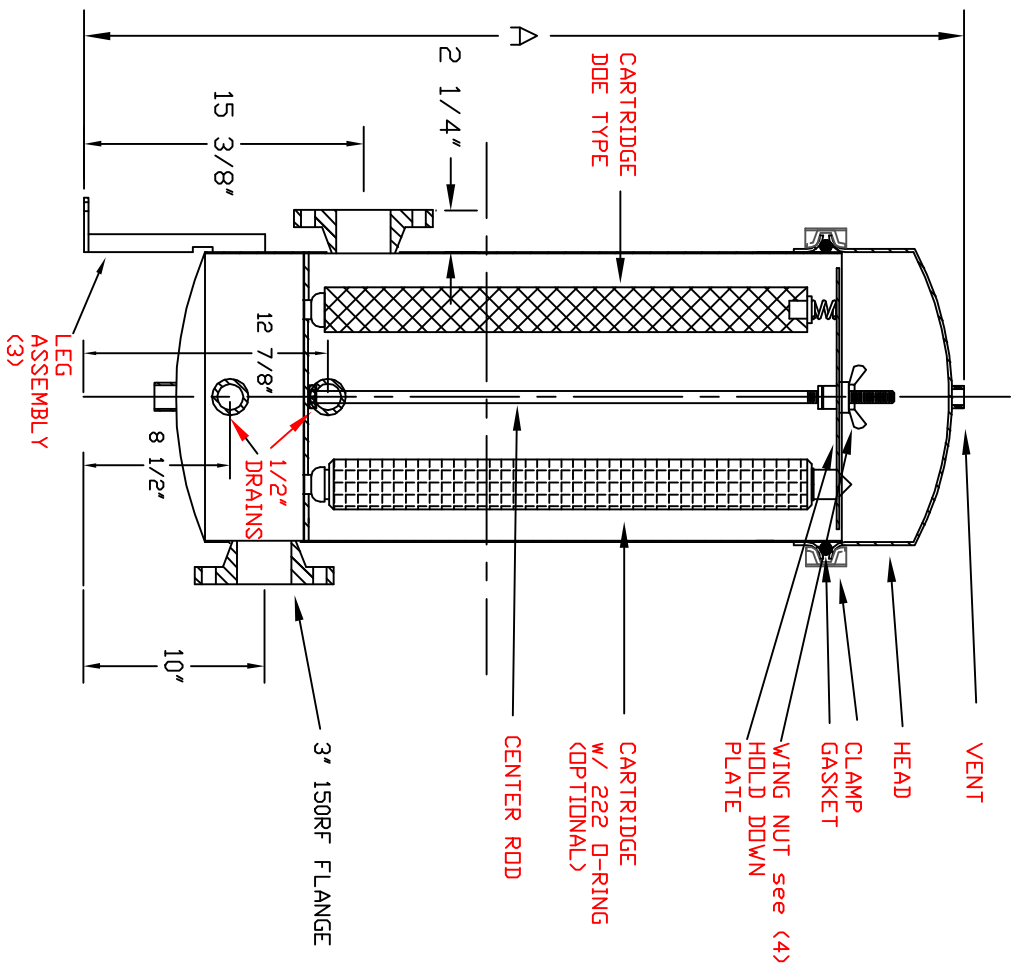


REVISIONS		
REV	DESCRIPTION	DATE



1. MATERIAL: 304L or 316L S.S.
2. PRESSURE: 150 PSI @ 300F
3. FINISH: ELECTROPOLISH INTERIOR AND EXTERIOR (OPTIONAL)
4. 304S.S. HOUSING COMES WITH A KNOB BAKED PHENOLIC WITH BRASS INSERT

A DIM.	12FDS4 - 4 HIGH - 59 1/2"	12FDS3 - 3 HIGH - 49 1/2"	12FDS2 - 2 HIGH - 39 1/2"

APPD      DATE

UNLESS SPECIFIED DIMENSION ARE IN INCHES  
 TOLERANCE:  
 3 PLACE DECIMAL ± .0625  
 2 PLACE DECIMAL ± .125  
 FRACTION ± 1/4"

DO NOT SCALE PRINT

**SHELCO FILTERS**  
 DIVISION  
 THE TINNY CORP.  
 WEST HARTFORD, CT 06110

12FDS SERIES HOUSING

DATE	DRAWN BY	DWG NO
3/21/98	LJR	12FDS1-01