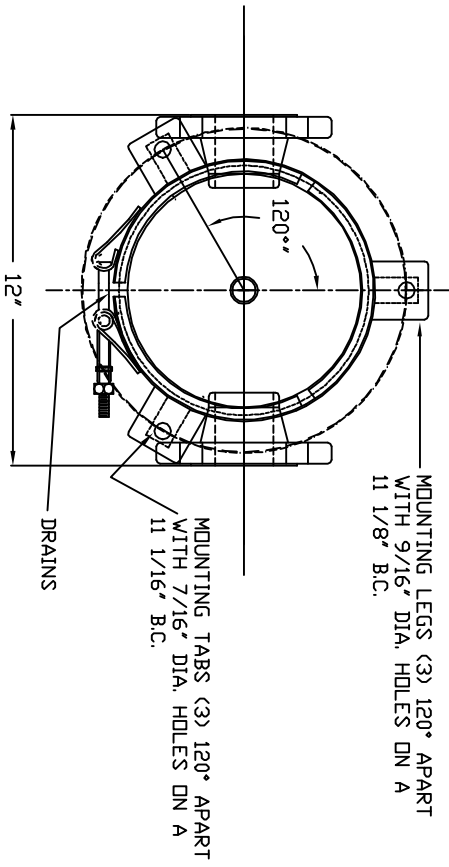


- 4 HIGH - 50 3/8"
- 3 HIGH - 40 3/8"
- 2 HIGH - 30 3/8"
- 1 HIGH - 20 3/8"

MOUNTING TABS
 7"
 1 1/8"
 2 1/2"
 3"
 2" FLANGE
 MOUNTING LEGS

VENT HEAD
 CLAMP GASKET
 KNOB
 PLATE BUSHING
 BUSHING RETAINER
 HOLD DOWN PLATE
 DDE CARTRIDGE
 CENTER ROD
 BAFFLE
 222 CARTRIDGE (OPTIONAL)
 1/2" DRAINS
 2" FLANGE
 MOUNTING LEGS



MOUNTING LEGS (3) 120° APART WITH 9/16" DIA. HOLES ON A 1 1/8" B.C.

MOUNTING TABS (3) 120° APART WITH 7/16" DIA. HOLES ON A 1 1/16" B.C.

DRAINS

REVISIONS				
ZONE	REV	DESCRIPTION	DATE	APPROVED

MATERIAL: 304L OR 316L
 GASKET: FDA NITRILE
 MOUNTING LEGS OR TABS - OPTIONAL

SHELCO FILTERS
 697 CEDAR STREET
 NEWINGTON, CT 06111

4FDS & SFDS SERIES HOUSING

Tolerance unless otherwise specified 1 place decimal ± .005 2 place decimal ± .010 Fraction 1/8"	DATE 5/29/03	DWG NO. 4 & 5 FDS-NEW	REV
SCALE ~	DRAWN BY LJR	SHEET 1 OF 1	