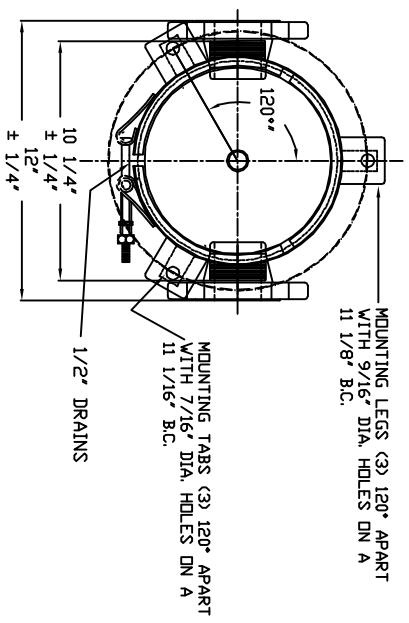



MATERIAL: 304L OR 316L
 GASKET: FDA NITRILE
 MOUNTING LEGS OR TABS - OPTIONAL



A - DIMENSION			
CLAMP STYLE	SWING BOLT STYLE	1 HIGH	2 HIGH
20 3/8"	20 7/8"	30 3/8"	40 3/8"
30 3/8"	30 7/8"	40 3/8"	50 3/8"
40 3/8"	40 7/8"	50 3/8"	50 7/8"



SHELCO FILTERS
 687 CEDAR STREET
 NEWINGTON, CT 06111

Tolerance unless otherwise specified
 decimal ± .005
 2 place decimal ± .010
 Fraction ± 1/8"

DATE: 5/29/03
 SCALE: ~
 DRAWN BY: LJR

DWG NO: 4 & 5 FDS-NEW
 SHEET: 1 OF 1

4FDS & 5FDS SERIES HOUSING

REVISIONS				
ZONE	REV	DESCRIPTION	DATE	APPROVED